

DIN RAIL OR PANEL MOUNT

PRODUCT CODE: VARIOUS

## I/O MODULES

24

Trio Motion Technology's range of digital and analogue input/output expansion modules are designed to enable simple and scalable IO extension for Trio's *Motion Coordinators*. In addition to 24V input, output and bi-directional modules, there are relay and analogue I/O modules.

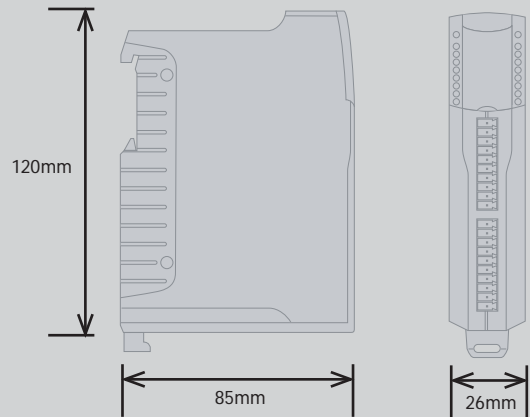
CANbus is used for communication and control between the *Motion Coordinator* and the CAN IO modules. CANbus is a tried and tested, well known data link in industry which is reliable, noise immune and flexible. All CAN IO modules are compatible with any *Motion Coordinator* that has a CANbus port.

The *Motion Coordinator* I/O expansion system uses CANbus to reduce wiring and allow input/output modules to be distributed remotely. Up to 16 Digital I/O and up to 4 Analogue I/O modules may be added to the system.

The MC464 has additional capability in that it can handle up to 16 Digital Input modules and 16 Digital Output modules, a total of 32 Digital modules and 4 Analogue modules. The CAN 16 I/O module counts as one Input AND one Output module.

As well as being able to connect to any *Motion Coordinator* using Trio's own high speed CANbus protocol, each CAN module can run the DS401 CANopen protocol. Protocol selection is by DIP switches on the front of the module.

### OVERALL DIMENSIONS



I/O SYSTEMS

PRODUCT CODE: P317

CAN 16-OUT DIGITAL

Part Number P317

The Trio CAN16 Output module provides up to 256 distributed output channels at 24Vdc level.

|                 |  |
|-----------------|--|
| Outputs         | 16x 24V sourcing (PNP) output channels |
| Configuration   | 16 output channels                     |
| Output Capacity | 1A per bank of 8 250mA/channel.        |
| Network Speed   | 500KBit/s                              |
| Protocols       | TrioCAN IO / CANopen DS401             |
| Compliance      | ROHS and EMC                           |



I/O SYSTEMS

PRODUCT CODE: P318

CAN 16-IN DIGITAL

Part Number P318

The Trio CAN16 Output module provides up to 256 distributed output channels at 24Vdc level.

|                 |  |
|-----------------|--|
| Outputs         | 16x 24V sourcing (PNP) output channels |
| Configuration   | 16 output channels                     |
| Output Capacity | 1A per bank of 8 250mA/channel.        |
| Network Speed   | 500KBit/s                              |
| Protocols       | TrioCAN IO / CANopen DS401             |
| Compliance      | ROHS and EMC                           |





Part Number P319  
 The Trio CAN16 Input / Output module provides up to 256 distributed bi-directional I/O channels at 24Vdc level.

|               |  |
|---------------|--|
| Inputs        | 16 x 24V Input channels with 2500V isolation |
| Outputs       | 16x 24V sourcing (PNP) output channels       |
| Configuration | 2 x 8 bi-directional input/output channels   |
| Network Speed | 500KBit/s                                    |
| Protocols     | TrioCAN IO / CANopen DS401                   |
| Compliance    | ROHS and EMC                                 |

I/O SYSTEMS

PRODUCT CODE: P319

CAN 8-IN / 4-OUT ANALOGUE



Part Number P326  
 The CAN Analogue I/O module provides up to 32 analogue input and 16 output channels per system.

|               |  |
|---------------|--|
| Inputs        | 8 x +/- 10V inputs with isolation from CANbus  |
| Outputs       | 4 x 0 - 10V outputs with isolation from CANbus |
| Network Speed | 500KBit/s                                      |
| Protocols     | TrioCAN IO / CANopen DS401                     |
| Compliance    | ROHS and EMC                                   |

I/O SYSTEMS

PRODUCT CODE: P326

CAN 8-IN/4-OUT ANALOGUE



Part Number P327  
 The Trio CAN8 Relay module provides 128 distributed low power relay channels per *Motion Coordinator*.

|               |   |
|---------------|---|
| Outputs       | 8 relays 30Vdc / 120Vac                   |
| Configuration | 4 x NO+NC contacts and 4 NO only contacts |
| Network Speed | 500KBit/s                                 |
| Protocols     | TrioCAN IO / CANopen DS401                |
| Compliance    | ROHS and EMC                              |

I/O SYSTEMS

PRODUCT CODE: P326

CAN 8-RELAY OUT